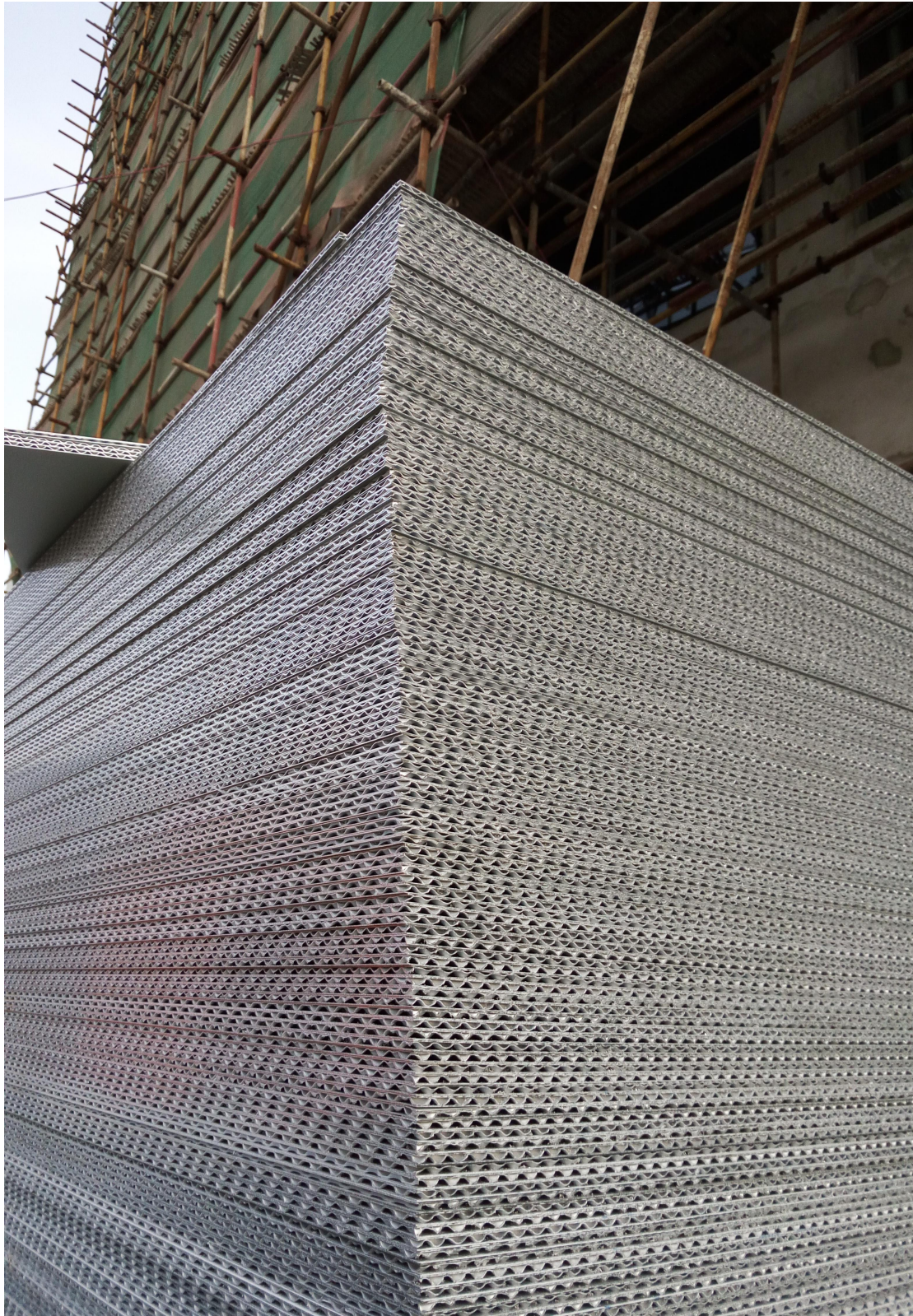


ACCP Install

1. Flat sheets



2. Checking size



3. Grooving

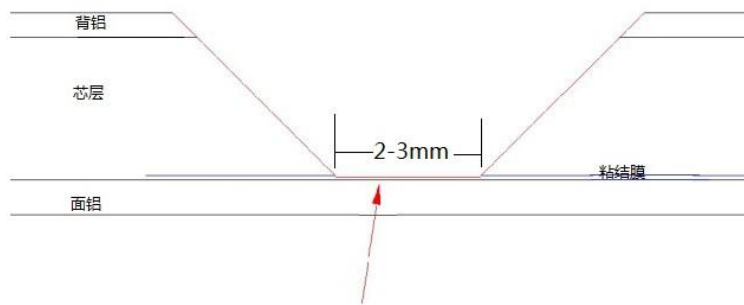


*** Saws with hand machine**



* Grooving details:

开槽示意图



开槽时，沟槽需铣干净，

4. Bending



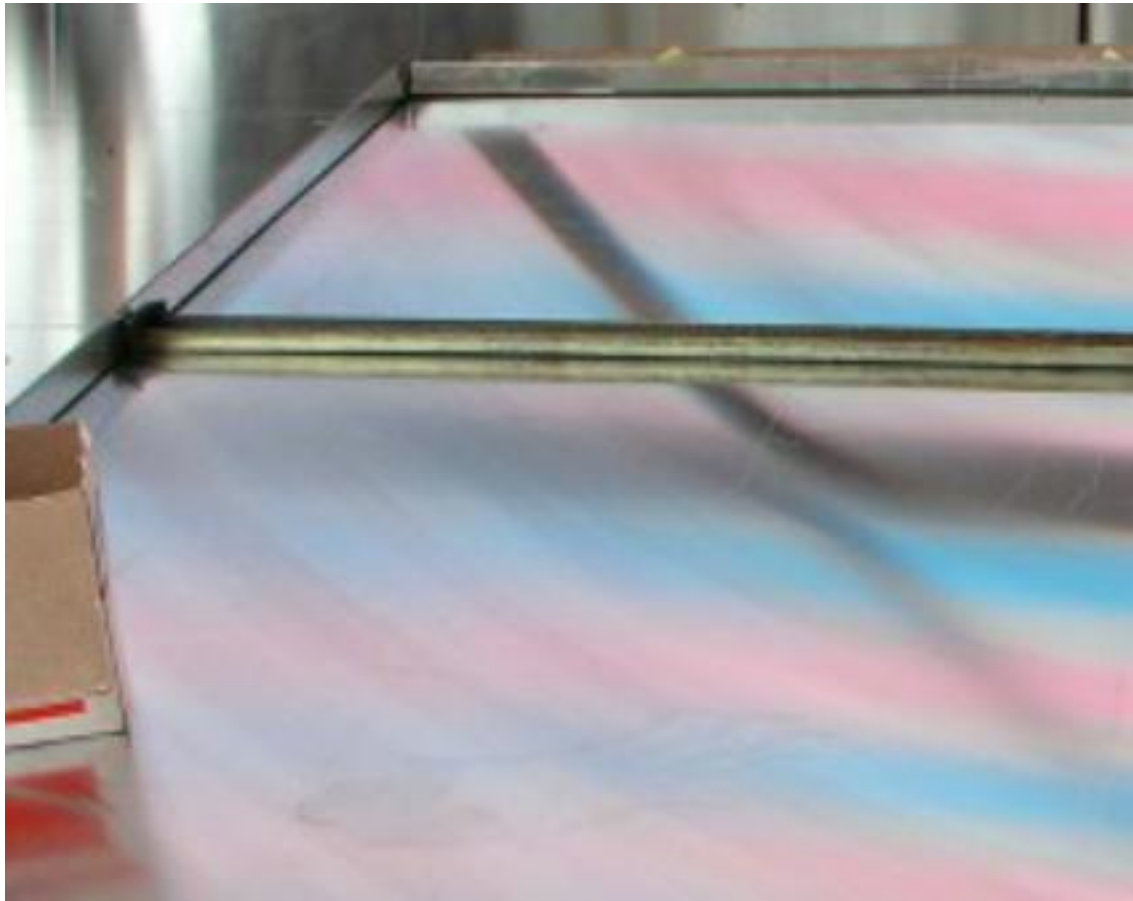
5. Conner Connection



6. Connection



7. Strength backside



8. Connect on the wall



9 Make sure all sheets in the same direction



10.Filling with Silicon



11Peel off protective film



